

Assembly Manual

Spray suction tool holder (7181.95)

Introduction

Foreword

This assembly manual may be used only in conjunction with the operating manual of the machine.

Safety instructions

Please observe the general safety regulations of the corresponding machine in the relevant operating manual. Place the machine on a level surface and secure it with the parking brake. Switch the machine off and pull out the key.

We would expressly advise you that no legal claims may be asserted based on the contents of this manual. In the case of necessary repair work, please make sure that only original spare parts are used. Only original spare parts guarantee constant and reliable operational readiness of your machine. We reserve the right to make changes in the interests of further technical development.

Valid as from: Mai 2018

Hako GmbH
23843 Bad Oldesloe, Germany
Hamburger Str. 209-239
Phone +49 4531 806-0

1 Spray suction tool holder

1.1 Parts list

- 1 1x holder, pre-assembled
- 2 3x flanged button head bolts (with hexagon socket) M8x12
- 3 1x set-down plate for tool
- 4 1x sleeve

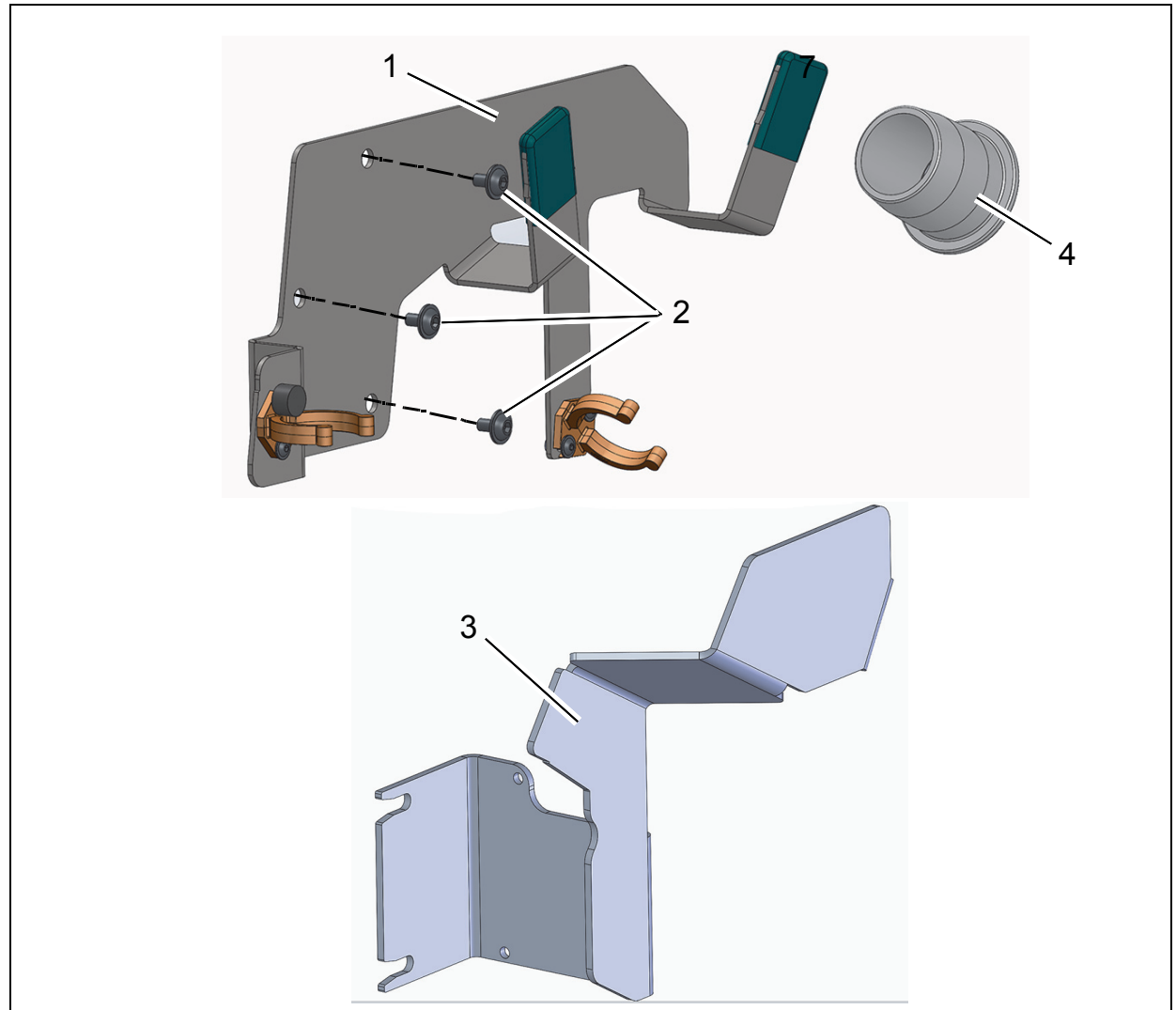


Fig. 1

Spray suction tool holder

1.2 Holder assembly

1. Holder, pre-assembled (Fig. 2/1) fit to left side of machine with flanged button head bolts M8x12 (Fig. 2/2) as shown in the illustration. Maximum tightening torque 10 Nm.
2. Slacken M8x25 fastening screws of the side scraper a little (Fig. 2/3). Slide set-down plate for tool sideways until it comes up against the slackened screws (Fig. 2/4).
3. Re-tighten the fastening screws.
4. Fit sleeve to holder (Fig. 2/5).

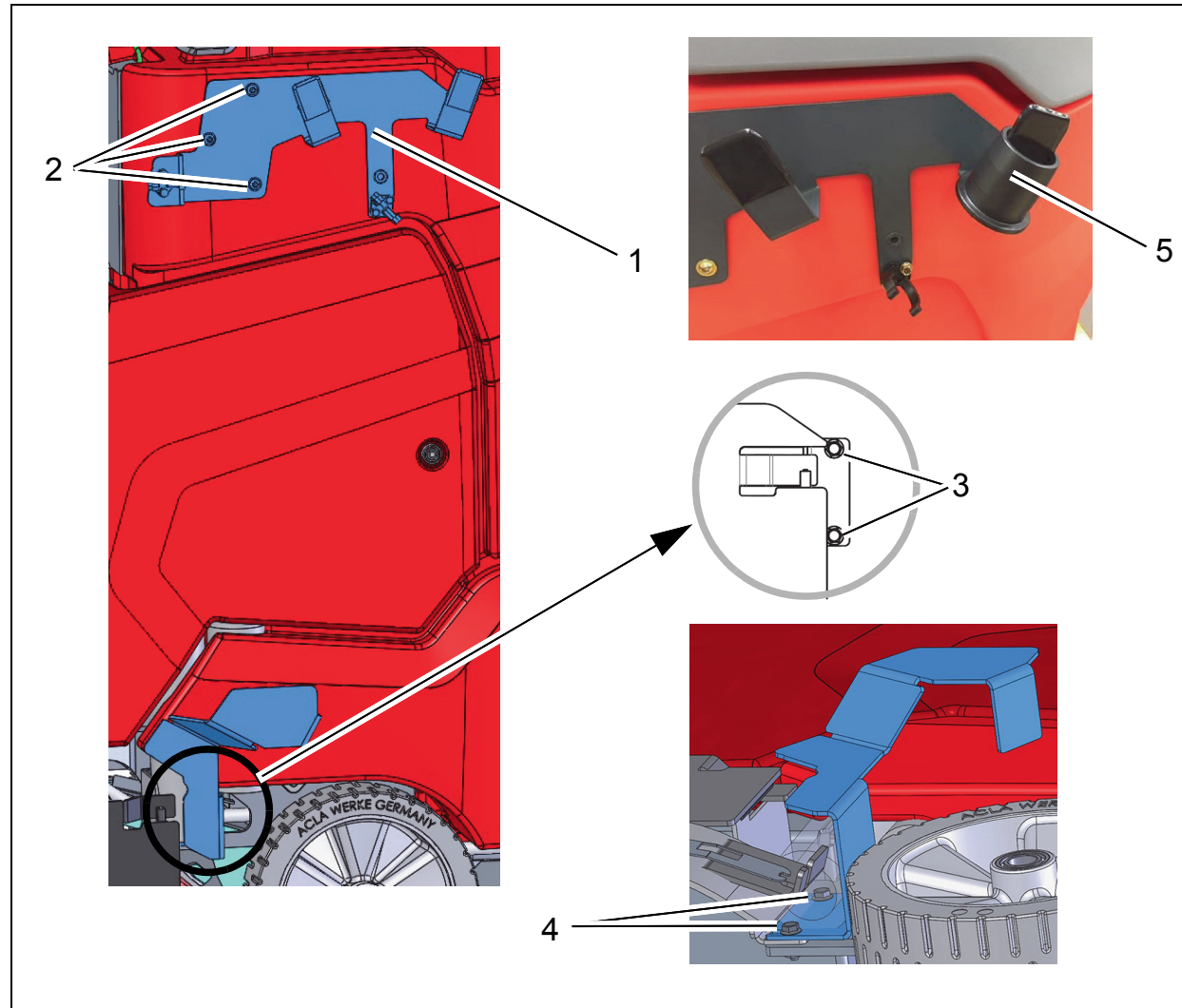


Fig. 2

1.3 Fit spray suction tool

1. Attach spray suction tool (option 7009.10) (Fig. 3/1) as shown in the illustration.
2. Securely attach sleeve (Fig. 3/2) to end of hose of spray suction tool.



Fig. 3

Hako

Clean ahead

Advanced Technology for a Cleaner, Better Environment

88-10-3144 - 3925-00



Hako GmbH • Head Office • Hamburger Str. 209-239 • 23843 Bad Oldesloe • Germany
Phone +49 4531 806-0 • Fax +49 4531 806-338